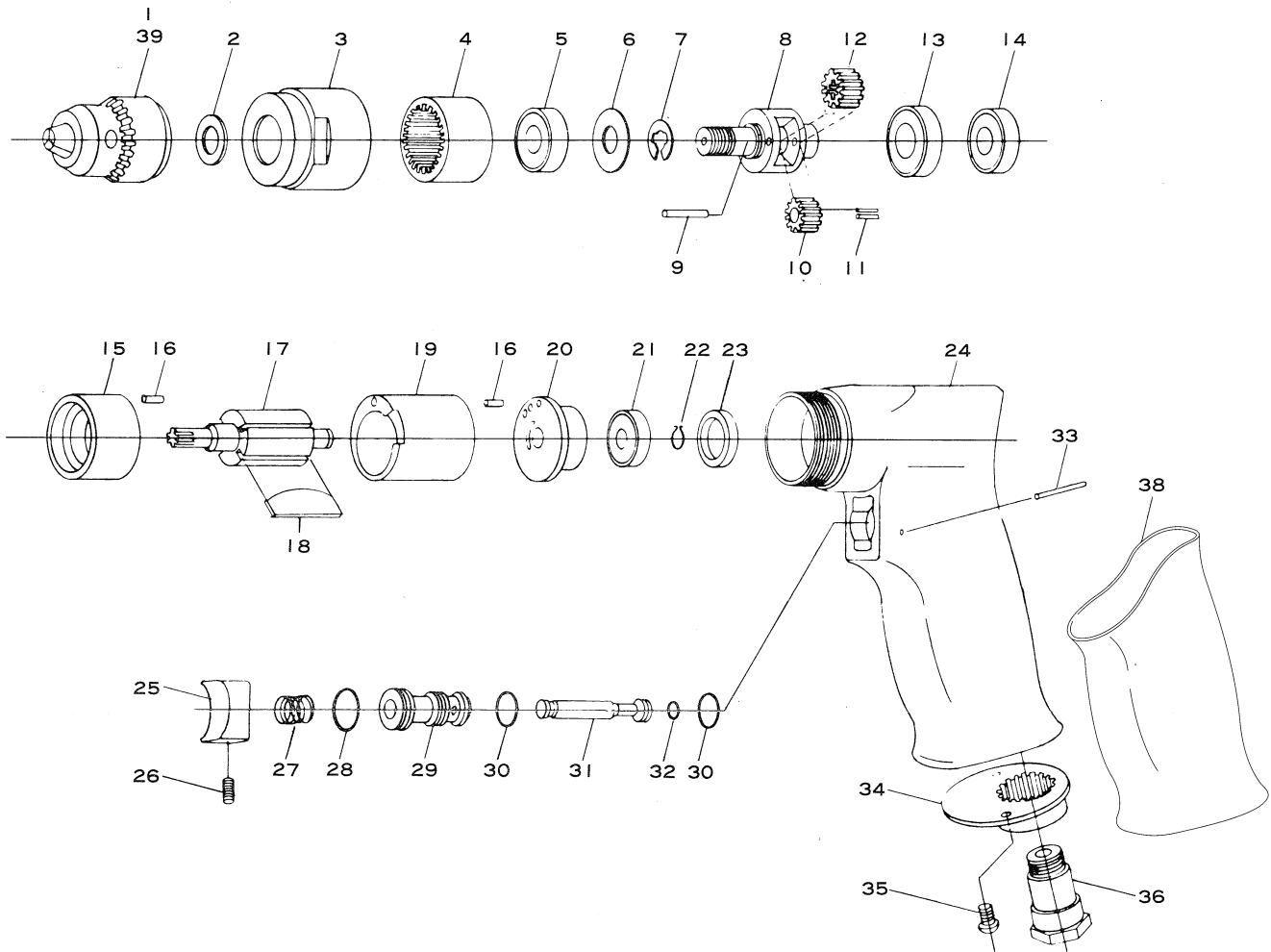


# SI-5100A

## 1/4" Planetary Gear Drill

### 5,000r.p.m.



Ref. No.	Parts No.	Description	Q'ty	Ref. No.	Parts No.	Description	Q'ty
1	22BA	3/8" Drill Chuck w/Handle KK	1	21	626	Ball Bearing	1
2	680-7	Spacer	1	22	JS-6	Retaining Ring	1
3	680-8	Clamp Nut	1	23	680-34	Bearing Cap	1
4	680-9	Internal Gear	1	24	120-10ASI	Motor Housing	1
5	EE-3-ZZ	Ball Bearing	1	25	120-18	Trigger	1
6	680-22	Fiber Washer	1	26	R-M40-60	Set Screw	1
7	IE-10	Retaining Ring	1	27	120-31	Valve Spring	1
8	120-45-1	Planet Cage	1	28	P-11	O-Ring	1
9	120-45-2	Planet Pin	2	29	120-13	Valve Bushing	1
10	120-45-3	Planet Gear	2	30	P-10	O-Ring	2
11	1500-11-8	Needle Roller	22	31	120-14	Valve Stem	1
12	120-45-4	Pinion Gear	1	32	P-4	O-Ring	1
13	6001	Ball Bearing	1	33	25-20	Roll Pin (2.5 φ -20mm)	1
14	608-ZZ	Ball Bearing	1	34	120-11	Deflector	1
15	680-4	Front Plate	2	35	JBM30-80	Screw	2
16	25-5	Roll Pin (2.5 φ -5mm)	1	36	120-17	Inlet Bushing	1
17	680-5	Rotor	1	37	KK	Chuck Handle for 22BA, SM8K61 & 31902	1
18	350-16	Rotor Blade	4	38	120-35	Housing Cover	1
19	680-1	Cylinder	1	◆39	LX10	3/8" Cap. Keyless Chuck (3/8" Thd.)	
20	680-2	Rear Plate	1				