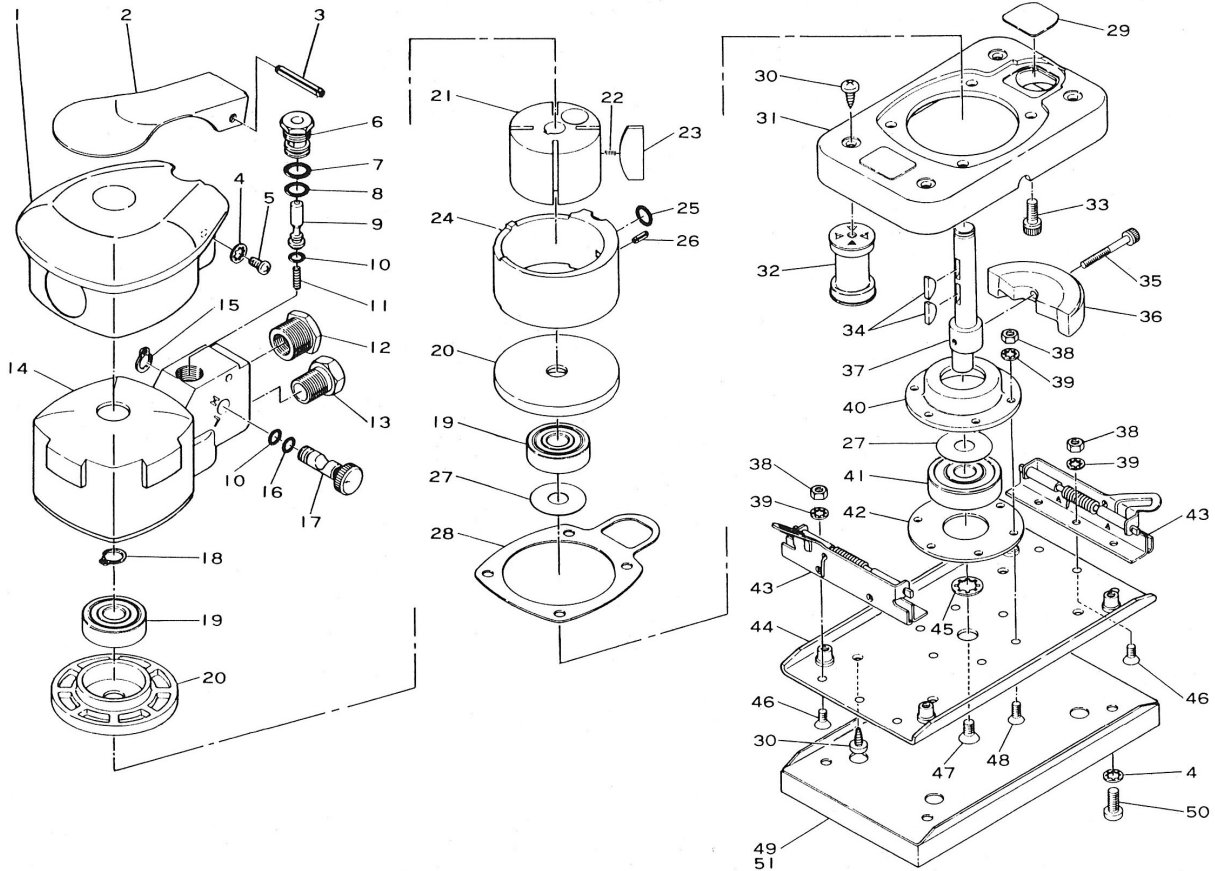


# SI-3007

## Heavy Duty Orbital Sander w/Leather

# SI-3007M

## Heavy Duty Orbital Sander w/Velcro



Ref No	Code	Description	Qty
01	570-26	Housing Cover	1
02	476-45	Throttle Lever	1
03	40-30	Roll Pin	1
04	AT-50	Washer	6
05	JBM40-100	Screw	2
06	485-5	Valve Body	1
07	S-10	O-Ring	1
08	P-8	O-Ring	1
09	485-1	Valve Stem	1
10	P-4	O-Ring	2
11	350-7	Valve Spring	1
12	670-22	Inlet Bushing	1
13	680-11	Exhaust Bushing incl. Collar(650-29)	1
14	570-52	Motor Housing	1
15	JS-8	Retaining Ring	1
16	P-5	O-Ring	1
17	485-4	Air Regulator	1
18	JS-10	Retaining Ring	1
19	6200ZZ	Ball Bearing	2
20	640-12A	End Plate	2
21	475-6TS	Rotor	1
22	490-1	Blade Spring	2
23	470-9	Rotor Blade	4
24	640-1	Cylinder	1
25	P-7	O-Ring	1
26	30-6	Roll Pin	1
27	481-10	Spacer (Brass)	2
28	570-38	Gasket	1
29	570-33	Cover Plate	1
30	JIM50-100	Screw	8
31	575-15	Basement	1
32	640-48	Rubber Support	4
33	Z-M50-120	Cap Screw	4
34	480-23	Key	2
35	Z-M40-300	Cap Screw	1
36	475-18	Lower Weight	1

Ref No	Code	Description	Qty
37	475-12	Crank Shaft	1
38	N1-M40	Nut	12
39	AT-40	Washer	12
40	475-20	Shoe Bearing Housing	1
41	6300LLU	Ball Bearing	1
42	475-24	Spacer	1
43	475-23	Paper Clip	1
44	477-20A	Shoe incl. Nuts(477-50 x 4)	1
45	AT-70	Washer	1
46	E-M40-80	Screw	6
47	E-M50-100	Screw	1
48	E-M40-100	Screw	6
49	P-3007	Leather Pad incl. Plate (477-44)	1
50	A-M50-100	Screw	4
★ 51	M-3007	Velcro Pad incl. Plate (477-44)	1

★For SI-3007M