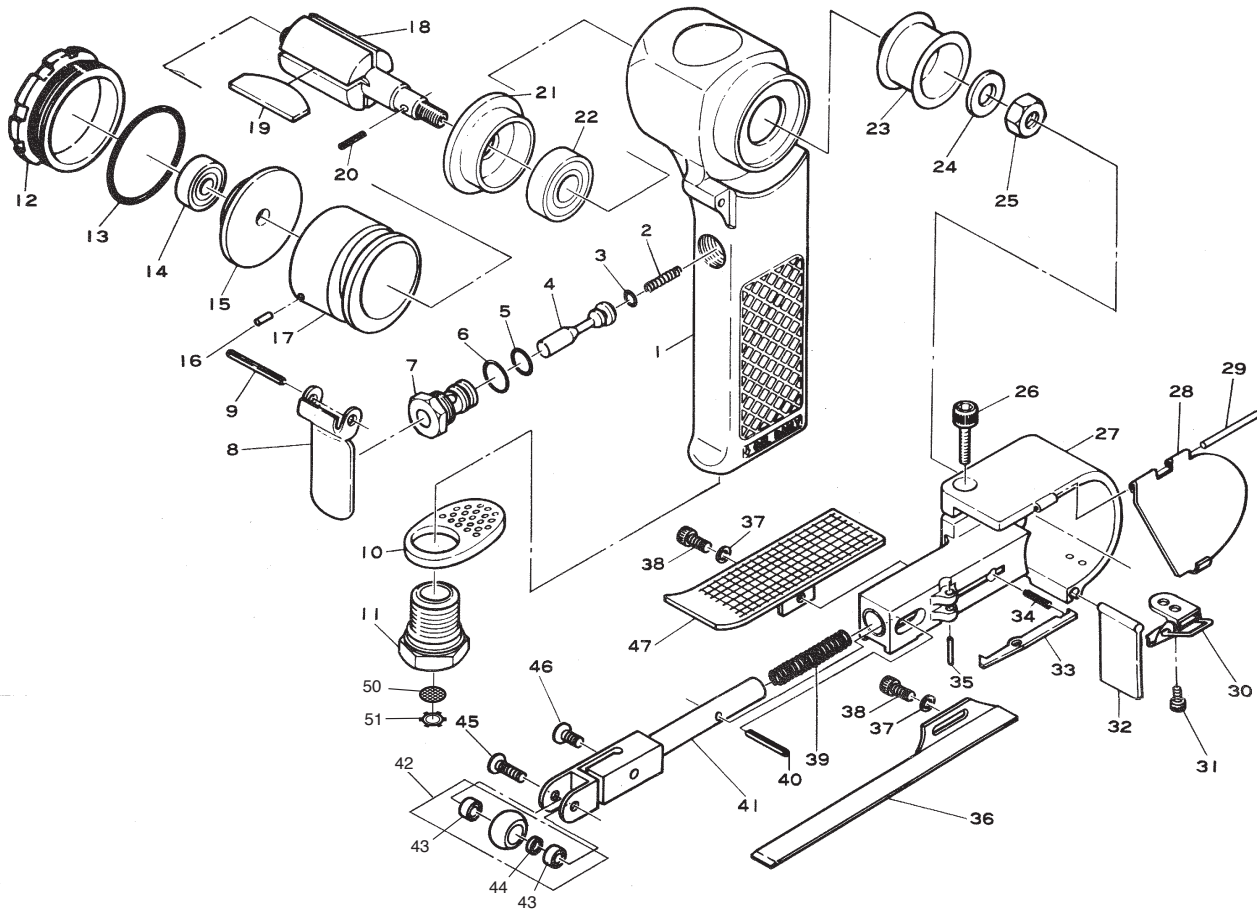


SI-2800

20mm Belt Sander



Ref. No.	Parts No.	Description	Q'ty	Ref. No.	Parts No.	Description	Q'ty
1	507-45	Motor Housing	1	27	507-25	Wheel Cover incl. Insert Spacer(507-34)	1
2	482-46	Valve Spring	1	28	507-42A	Wheel Cover Lid	1
3	P-4	O-Ring	1	29	20-30	Roll Pin (2-30mm)	1
4	485-1	Valve Stem	1	30	507-46	Cover Latch	1
5	P-8	O-Ring	1	31	Z-M30-50	Cap Screw	2
6	S-10	O-Ring	1	32	507-29	Apron	1
7	485-5	Valve Body	1	33	507-41	Stopper	1
8	509-4	Throttle Lever	1	34	507-22	Stopper Spring	1
9	30-24	Roll Pin (3-24mm)	1	35	30-12	Roll Pin (3-12mm)	1
10	509-3	Deflector	1	36	507-15	Shoe	1
11	509-2	Inlet Bushing	1	37	PW-50	Washer	2
12	509-13	Motor Nut	1	38	Z-1024-95	Cap Screw	2
13	450-35	O-Ring	1	39	507-33	Tension Spring	1
14	626	Ball Bearing	1	40	507-1	Stopper Pin	1
15	509-11	Rear Plate	1	41	507-30	Tension Arm	1
16	20-6	Roll Pin (2-6mm)	1	42	507-35A	Idle Pulley Assy (incl. 686-ZZ x 2 & 507-37)	1
17	507-31	Cylinder	1	43	686-ZZ	Ball Bearing	2
18	507-32	Rotor	1	44	507-37	Collar	1
19	170-5	Rotor Blade	4	45	507-38	Idle Shaft	1
20	520-17	Pin	1	46	Y-M60-180	Counter Sink	1
21	509-18	Front Plate	1	47	507-44	Finger Plate	1
22	6000-ZZ	Ball Bearing	1	* 48	WRA-4	4mm Allen Wrench	1
23	507-23	Drive Pulley	1	* 49	507-58A	Sanding Belt	6
24	BT-80	Washer	1	50	680-28A	Screen	1
25	N2-M80	Nut	1	51	CRTW-12	Retainer	1
26	Z-1024-180	Cap Screw	1				

<p>ENGLISH</p> <p><u>DECLARATION OF CONFORMITY</u></p> <p>SHINANO INC., 1672, Ohnohara, Kamekubo, Fujimino, Saitama 356-0051, JAPAN, declares as manufacturer that :</p> <p>SI-2800 Belt Sander with serial no. : YEAR/ 0001-up</p> <p>conforms with EC Machinery Directive 2006/42/EC.</p> <p>01. 02. 2013</p> <p> Masayuki Aoyama, Export Manager</p>	<p>DANISH</p> <p><u>ERKLÆRING OM OVERENSTEMMELSE</u></p> <p>SHINANO INC., 1672, Ohnohara, Kamekubo, Fujimino, Saitama 356-0051, JAPAN, erklærer som producent at :</p> <p>SI-2800 Båndslibemaskine med serie nr. : YEAR/ 0001-up</p> <p>er i overensstemmelse med bestemmelserne i Direktiv 2006/42/EC.</p> <p>01. 02. 2013</p> <p> Masayuki Aoyama, Export Manager</p>	<p>GREEK</p> <p><u>ΑΦΗΡΩΣΗ-ΒΕΒΑΙΩΣΗ</u></p> <p>SHINANO INC., 1672, Ohnohara, Kamekubo, Fujimino, Saitama 356-0051, JAPAN, δηλώνει ως κατασκευαστής ότι :</p> <p>SI-2800 Τρίβελτο λιδόρα Με Serial no. : YEAR/ 0001-up</p> <p>κατασκευάστηκε σύμφωνα με την ευρωπαϊκή οδηγία 2006/42/EC.</p> <p>01. 02. 2013</p> <p> Masayuki Aoyama, Export Manager</p>	<p>ITALIAN</p> <p><u>DICHIARAZIONE DI CONFORMITÀ</u></p> <p>SHINANO INC., 1672, Ohnohara, Kamekubo, Fujimino, Saitama 356-0051, JAPAN, in qualità di produttore dichiara che :</p> <p>SI-2800 Levigatrice a nastro matricola nr. : YEAR/ 0001-up</p> <p>è conforme alla Direttiva Macchine della Comunità Europea 2006/42/EC.</p> <p>01. 02. 2013</p> <p> Masayuki Aoyama, Export Manager</p>
<p>DUTCH</p> <p><u>VERKLARING VAN CONFORMITEIT</u></p> <p>SHINANO INC., 1672, Ohnohara, Kamekubo, Fujimino, Saitama 356-0051, JAPAN, verklaart als fabrikant dat :</p> <p>SI-2800 Bandschuurmachine met serienummer : YEAR/ 0001-up</p> <p>conform is met de EC Machinerie Richtlijn 2006/42/EC.</p> <p>01. 02. 2013</p> <p> Masayuki Aoyama, Export Manager</p>	<p>FINNISH</p> <p><u>VAATIMUSTENMUKAISUUSVAKUUTUS</u></p> <p>SHINANO INC., 1672, Ohnohara, Kamekubo, Fujimino, Saitama 356-0051, JAPAN, vakuuttaa valmistajana että :</p> <p>SI-2800 Nauhaohuttimakone Sarjan no. : YEAR/ 0001-up</p> <p>on yhdenmukainen EC Koneidirektiivin 2006/42/EC.</p> <p>01. 02. 2013</p> <p> Masayuki Aoyama, Export Manager</p>	<p>NORWEGIAN</p> <p><u>BEKREFTELSE OM OVERENSTEMMELSE</u></p> <p>SHINANO INC., 1672, Ohnohara, Kamekubo, Fujimino, Saitama 356-0051, JAPAN, bekrefter som produsent at :</p> <p>SI-2800 Båndslipemaskine med serie nr. : YEAR/ 0001-up</p> <p>overensstemmer med Maskindirektivet 2006/42/EC.</p> <p>01. 02. 2013</p> <p> Masayuki Aoyama, Export Manager</p>	<p>PORTUGUESE</p> <p><u>DECLARAÇÃO DE CONFORMIDADE</u></p> <p>SHINANO INC., 1672, Ohnohara, Kamekubo, Fujimino, Saitama 356-0051, JAPÃO, declara como fabricante que :</p> <p>SI-2800 Lixadeira de Cinta com a série nº : YEAR/ 0001-up</p> <p>está de acordo com as Diretivas para Máquinas da Comunidade Económica 2006/42/EC.</p> <p>01. 02. 2013</p> <p> Masayuki Aoyama, Export Manager</p>
<p>FRENCH</p> <p><u>ATTESTATION DE CONFORMITE</u></p> <p>Le constructeur soussigné : SHINANO INC., 1672, Ohnohara, Kamekubo, Fujimino, Saitama 356-0051, JAPON certifie que le matériel neuf désigné ci-après :</p> <p>SI-2800 Ponceuse à bandes Numero Sériel : YEAR/ 0001-up</p> <p>est conforme : - aux prescriptions du décret des machines n° 2006/42/EC.</p> <p>01. 02. 2013</p> <p> Masayuki Aoyama, Export Manager</p>	<p>GERMAN</p> <p><u>ÜBEREINSTIMMUNGSERKLÄRUNG</u></p> <p>SHINANO INC., 1672, Ohnohara, Kamekubo, Fujimino, Saitama 356-0051, JAPAN, versichert in der Eigenschaft als Hersteller, dass</p> <p>SI-2800 Bandschleifer Seriennummer : YEAR/ 0001-up</p> <p>mit der Maschinenvorschrift 2006/42/EC.</p> <p>01. 02. 2013</p> <p> Masayuki Aoyama, Export Manager</p>	<p>SPANISH</p> <p><u>DECLARACION DE CONFORMIDAD</u></p> <p>SHINANO INC., 1672, Ohnohara, Kamekubo, Fujimino, Saitama 356-0051, JAPAN, Declara como fabricante que :</p> <p>SI-2800 Lijadora de Banda con nº de serie : YEAR/ 0001-up</p> <p>cumple con la Directiva de Maquinaria de la UNION EUROPEA 2006/42/EC.</p> <p>01. 02. 2013</p> <p> Masayuki Aoyama, Export Manager</p>	<p>SWEDISH</p> <p><u>FÖRSÄKRAN OM ÖVERENSSTÄMMELSE</u></p> <p>SHINANO INC., 1672, Ohnohara, Kamekubo, Fujimino, Saitama 356-0051, JAPAN, försäkrat som tillverkare att :</p> <p>SI-2800 Bandslipmaskin med serie nr. : YEAR/ 0001-up</p> <p>överensstämmer med Maskindirektivet 2006/42/EC.</p> <p>01. 02. 2013</p> <p> Masayuki Aoyama, Export Manager</p>