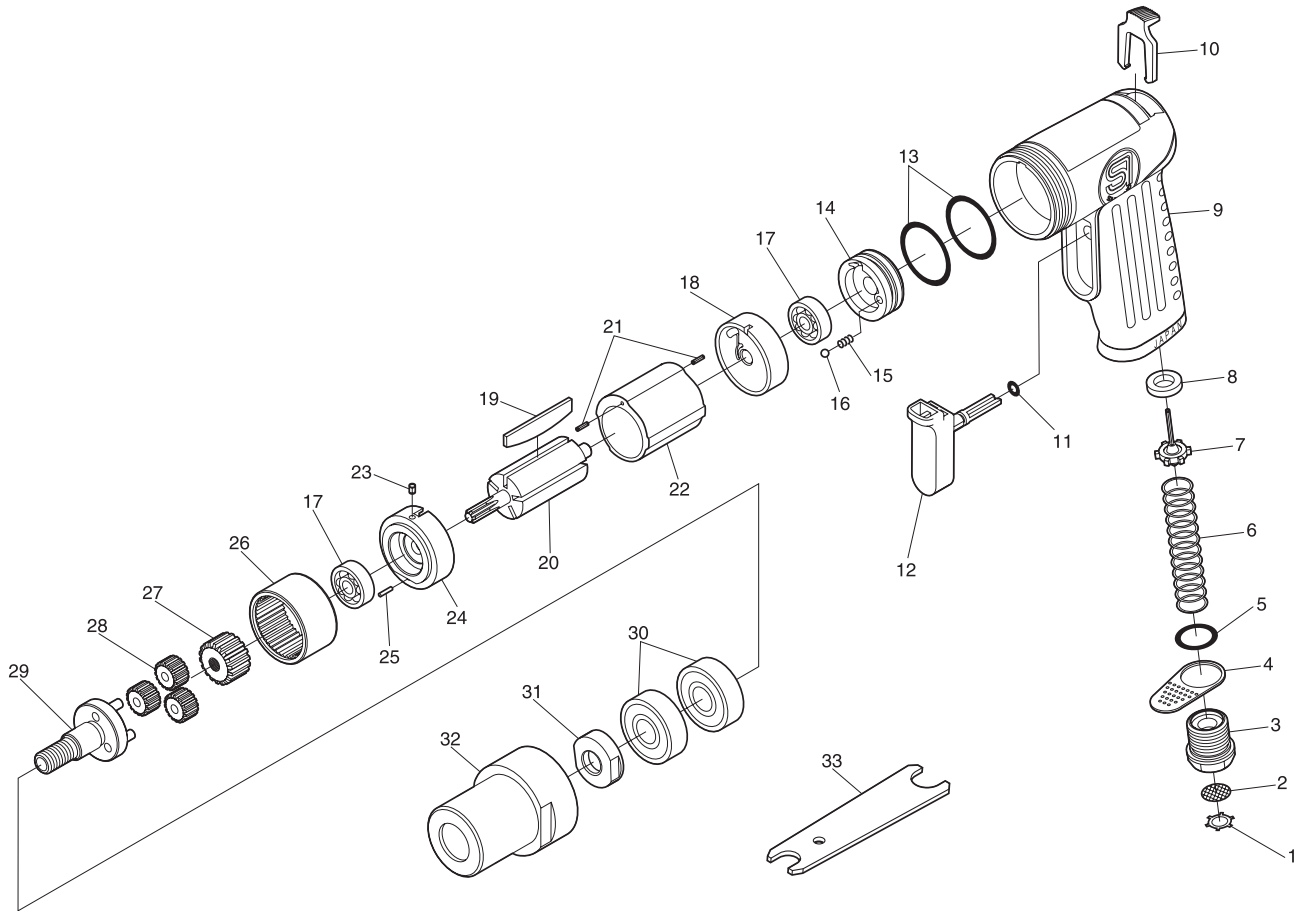


SI-2224

Mini Polisher



Ref. No.	Parts No.	Description	Q'ty	Ref. No.	Parts No.	Description	Q'ty
1	CRTW-12	Retainer	1	20	119GS-2	Rotor	1
2	680-28A	Screen	1	21	15-6	Roll Pin (1.5φ-6mm)	2
3	139-11	Inlet Bushing	1	22	303-11	Cylinder	1
4	139-12	Deflector	1	23	25-3.5	Roll Pin (2.5φ-3.5mm)	1
5	957-3	O-Ring	1	24	210R-5	Front Plate	1
6	139-15	Valve Spring	1	25	1500-68	Pin	1
7	139-8	Valve	1	26	139D-2	Internal Gear	1
8	139-9	Valve Seat	1	27	119GS-6	Pinion Gear	1
9	139S-5	Motor Housing incl. Bush (139-20)	1	28	119GS-8	Planet Gear	3
10	139-3	Control Lever	1	29	119KS-2	Work Spindle incl. Pins (3000-13-80×3)	1
11	216-6	O-Ring	1	30	6001-ZZ	Ball Bearing	2
12	139S-4	Trigger	1	31	119KS-3	Spindle Nut	1
13	210R-7	O-Ring	2	32	139D-1	Clamp Nut	1
14	139-2	Regulator	1	33	330-28	Spanner Wrench (11×17mm)	1
15	960-50	Spring	1				
16	SB-1/8	Steel Ball	1				
17	626	Ball Bearing	2				
18	139-14	Rear Plate	1				
19	670-15	Rotor Blade	5				