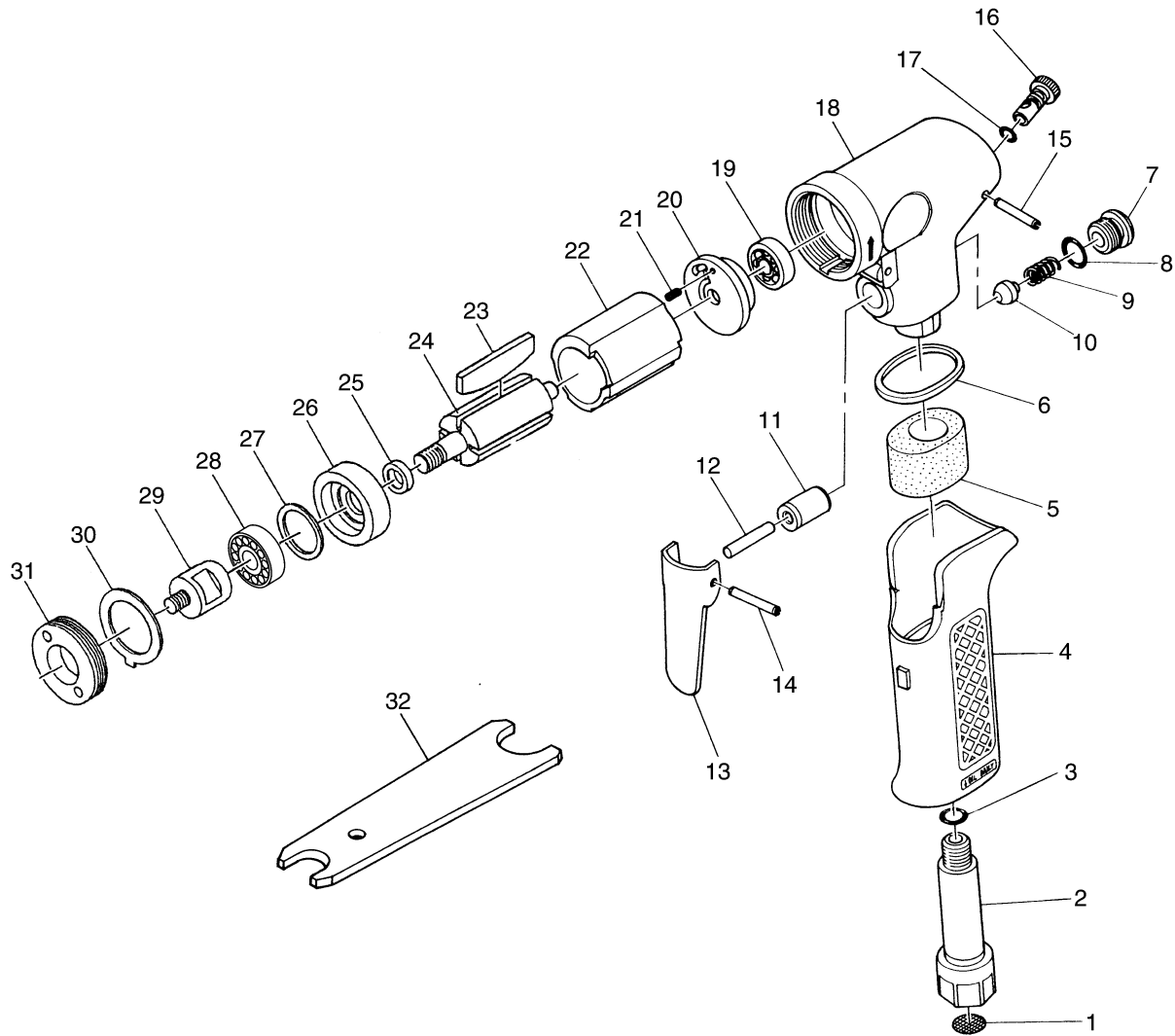


SI-2201

2" Disc Sander



Ref. No.	Parts No.	Description	Q'ty	Ref. No.	Parts No.	Description	Q'ty
1	620-28A	Screen	1	17	S-4	O-Ring	1
2	310-37	Inlet Bushing	1	18	129-1	Motor Housing	1
3	129-6	O-Ring	1	19	626	Ball Bearing	1
4	129-3	Grip	1	20	119-10	Rear Plate	1
5	129-7	Muffler	1	21	15-6	Roll Pin (1.5-6mm)	1
6	129-2	Gasket	1	22	800-1	Cylinder	1
7	800-14	Valve Screw	1	23	301-15	Rotor Blade	4
8	P-9	O-Ring	1	24	119-2	Rotor	1
9	670-49	Valve Spring	1	25	330-18	Collar	1
10	300-10	Valve	1	26	119-11	Front Plate	1
11	670-10	Valve Bush	1	27	330-20	Shim (0.03mm)	1
12	129-5	Valve Pin	1	28	608ZZ	Ball Bearing	1
13	312-12T	Throttle Lever	1	29	119-4	Spindle	1
14	30-22	Roll Pin (3-22mm)	1	30	119-7	Spacer	1
15	25-20	Roll Pin (2.5-20mm)	1	31	119-3	Motor Lock Nut	1
16	129-4	Regulator	1	32	330-28	Spanner Wrench (11x17mm)	1