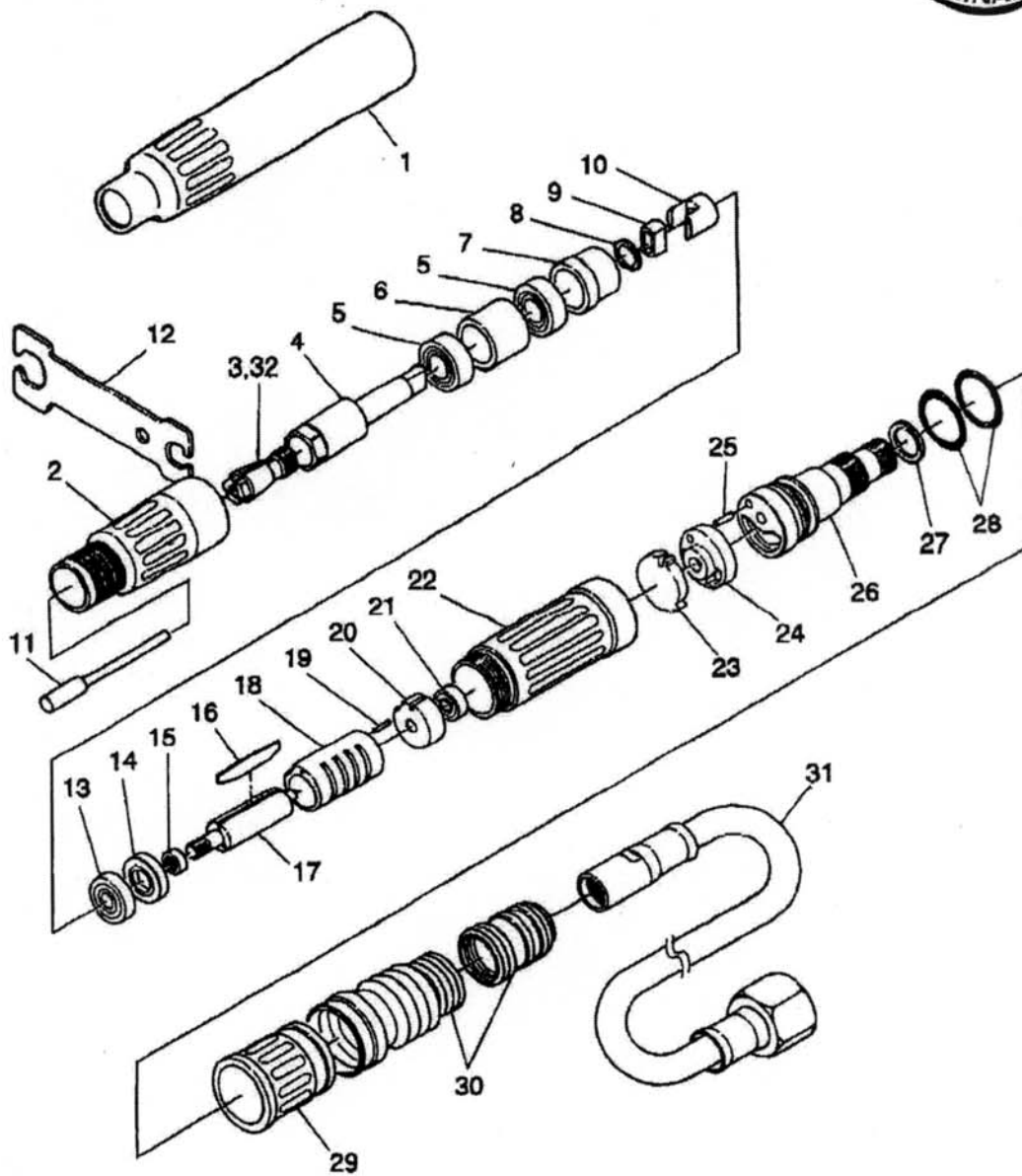


SI-2051SG

Finslipmaskin



Ref. No.	Parts No.	Description	Qty	Ref. No.	Parts No.	Description	Qty
1	340-60	Housing cover	1	17	340-10	Rotor	1
2	340-1A	Front case	1	18	340-14	Cylinder	1
3	340-2A	3mm Collet	1	19	340-16	Cylinder pin	1
4	340-3	Spindle	1	20	340-15	Rear plate	1
5	686ZZ	Ball bearing	2	21	693ZZ	Ball bearing	1
6	340-6	Spindle collar A	1	22	340-20A	Motor housing	1
7	340-8	Spindle collar B	1	23	340-17	Spacer	1
8	GV-6	Retaining ring	1	24	340-18	Connector	1
9	340-4	Joint cushion	1	25	1500-68	Pin	1
10	340-9	Coupling	1	26	340-21	Valve body	1
11	340-55	Grindstone ø5mm	1	27	340-54	Washer	1
12	340-27	Spanner wrench (hex 6x9mm)	2	28	340-23	O-ring	2
13	604ZZ	Ball bearing	1	29	340-24	Valve ring	1
14	340-12	Front plate	1	30	340-26	Exhaust hose	1
15	340-29	Rotor collar	1	31	340-25	Wipe hose a'ssy incl. (340-25A, 340-25B, 340-25D)	1
16	340-11	Rotor blade	3	32	340-2B	1/8" Collet	

•Option