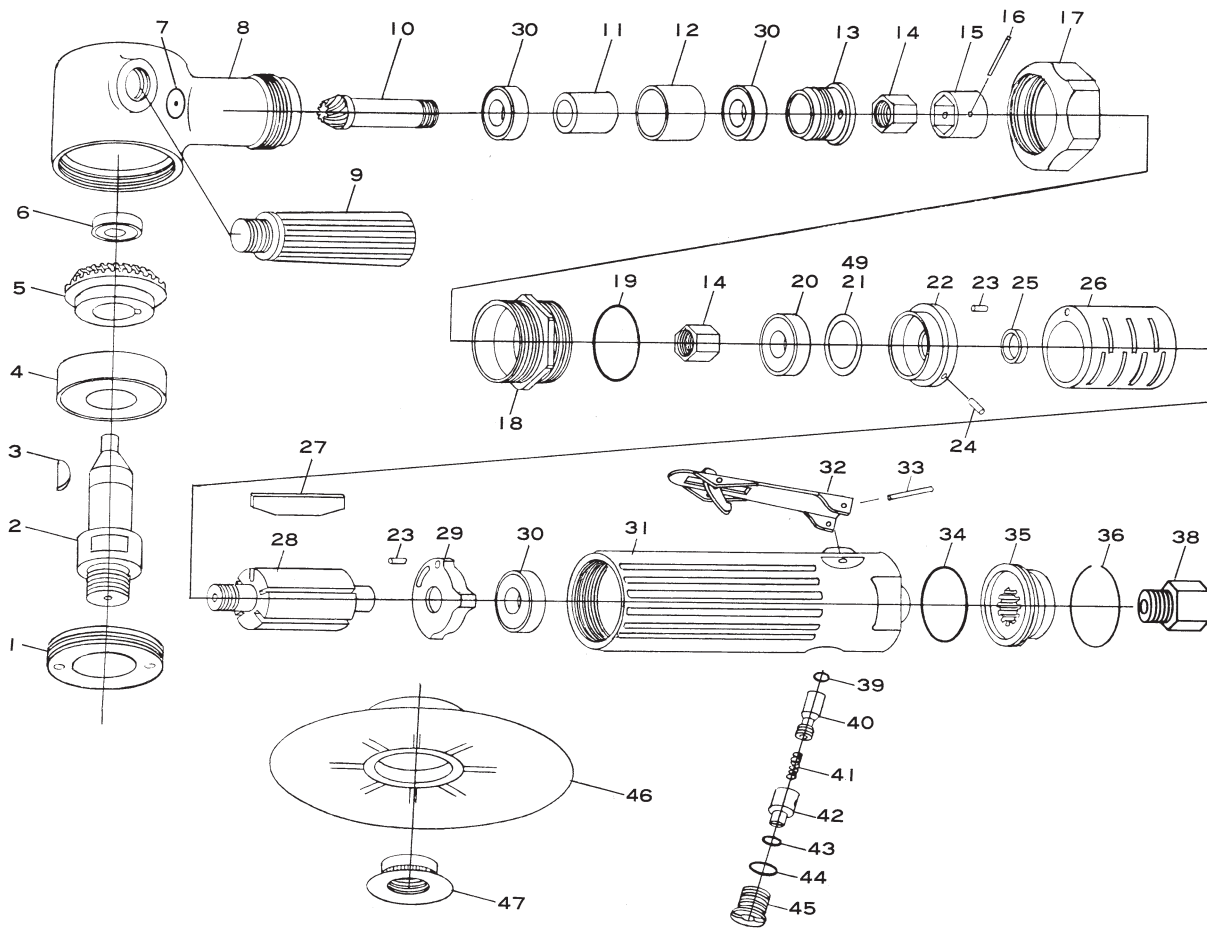


# SI-2026

## 5" Angle Head Sander-Rear Exhaust



Ref. No.	Parts No.	Description	Q'ty	Ref. No.	Parts No.	Description	Q'ty
1	135-8	Spindle Nut	1	25	350-18	Collar	1
2	135-7	Spindle	1	26	130-2A	Cylinder	1
3	650-30	Key	1	27	130-5	Rotor Blade	5
4	6203-LLU	Ball Bearing	1	28	130-3	Rotor	1
5	135-11	Bevel Gear	1	29	133-4A	Rear Plate	1
6	626	Ball Bearing	1	30	EE-3	Ball Bearing	3
7	1071C-16	Grease Plug	1	31	133-1	Motor Housing incl. Valve Bush (350-4)	1
8	135-6	Angle Head	1	32	350-2L	Throttle Lever	1
9	240-50	Dead Handle	1	33	30-24	Roll Pin (3φ-24mm)	1
10	135-10	Pinion Gear	1	34	620-28	O-Ring	1
11	135-25	Collar A	1	35	620-18	Deflector	1
12	135-26	Collar B	1	36	620-30	Retaining Ring	1
13	135-9	Pinion Nut	1	38	180-1SC	Inset Bushing incl. Screen (680-28A) & Retainer (CRTW-12)	1
14	132-16	Drive Nut	2	39	P-5	O-Ring	1
15	132-39	Coupling	1	40	350-5	Valve Stem	1
16	20-20	Roll Pin (2φ-20mm)	1	41	350-7	Valve Spring	1
17	132-14	Coupling Nut	1	42	350-8A	Air Regulator	1
18	132-15	Motor Clamp Nut	1	43	P-8	O-Ring	4
19	982-31	O-Ring	1	44	P-11	O-Ring	4
20	6000-ZZ	Ball Bearing	1	45	350-10	Valve Screw	1
21	350-20	Shim (0.03mm)	1	46	136-45	Back Disc	1
22	133-16A	Front Plate	1	47	820-54	Disc Nut	1
23	25-5	Roll Pin (2.5φ-5mm)	2	*48	660-19	Spanner Wrench	1
24	25-3.5	Roll Pin (2.5φ-3.5 mm)	1	49	350-29	Shim (0.05mm) (Optional)	