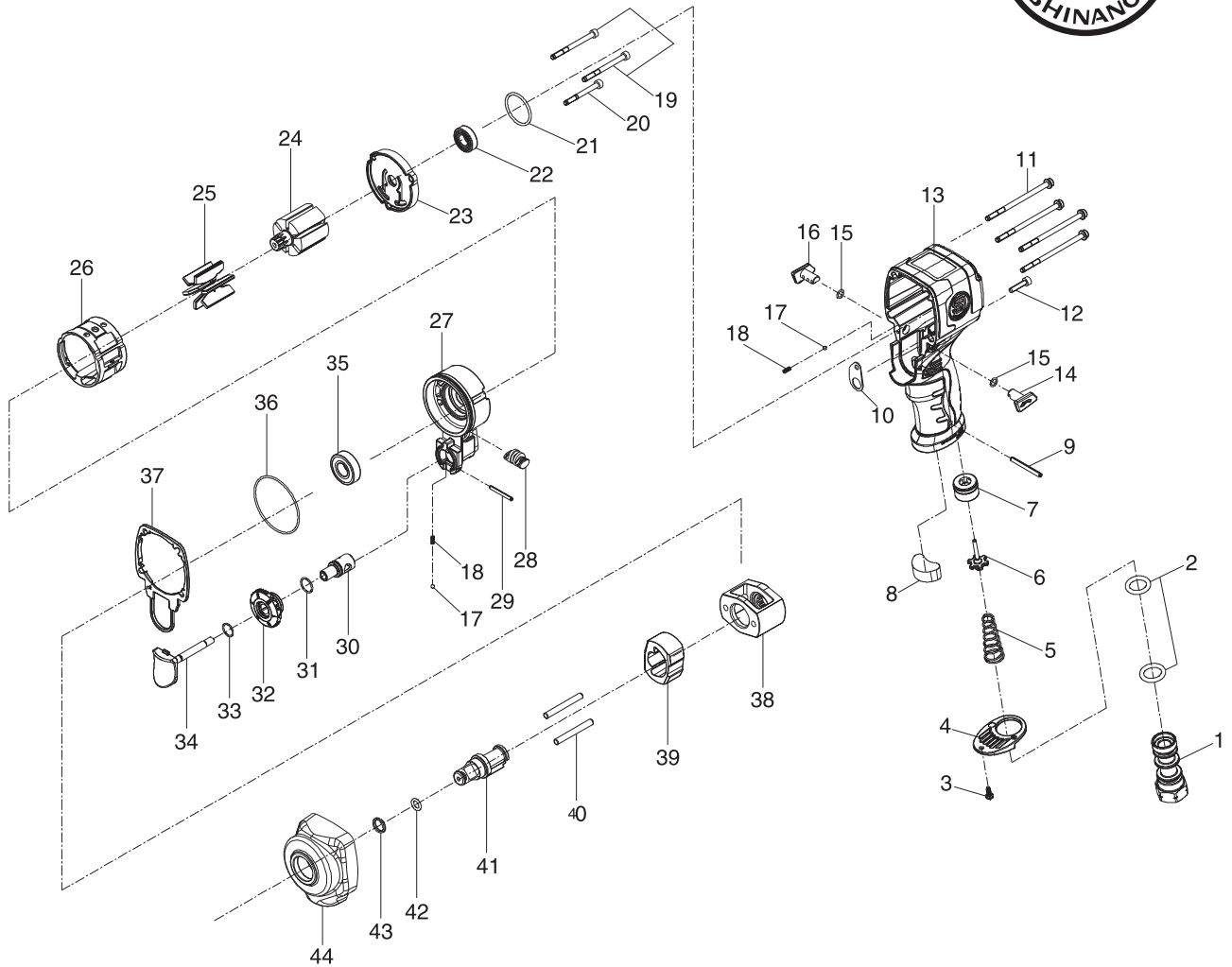


SI-1455SR

1/2" Sq. Dr. Impact Wrench



Ref. No.	Parts No.	Description	Q'ty	Ref. No.	Parts No.	Description	Q'ty
1	440DP-16	Inlet Bushing	1	24	440DP-12	Rotor	1
2	440DP-26	O-Ring	2	25	440DP-13	Rotor Blade	6
3	JBM30---80	Screw	1	26	440DP-11	Cylinder	1
4	440DP-17	Deflector	1	27	440DP-9	Front Plate Ass'y	1
5	440DP-18	Valve Spring	1	28	440DP-7	Reverse Stem	1
6	440DP-19	Valve Shaft	1	29	25-22	Roll Pin (2.5ø - 22mm)	1
7	440DP-20	Valve Seat	1	30	440DP-3	Regulator Valve	1
8	440DP-21	Muffler	1	31	129-6	O-Ring	1
9	30-30	Roll Pin (3ø - 30mm)	1	32	440DP-4	Regulator Dial	1
10	440DP-15	Gasket	1	33	440DP-28	O-Ring	1
11	440DP-22	Cap Screw	4	34	440DP-8R	Trigger	1
12	440DP-23	Cap Screw	1	35	EE4	Ball Bearing	1
13	440DP-1	Motor Housing	1	36	440DP-30	O-Ring	1
14	440DP-5	Reverse Button (Reverse)	1	37	440DP-14	Gasket	1
15	440DP-27	O-Ring	2	38	440DP-102	Hammer Cage	1
16	440DP-6	Reverse Button (Forward)	1	39	440DP-104	Hammer Dog	1
17	SB-25	Steel Ball	2	40	440DP-101	Hammer Pin	2
18	440DP-29	Spring	2	41	440DP-103	1/2" Sq. Anvil incl. O-Ring & Socket Retainer Ring (P-7 & 930-48)	1
19	440DP-24	Cap Screw	2	42	P-7	O-Ring	1
20	440DP-25	Cap Screw	1	43	930-48	Socket Retainer Ring	1
21	139Y-18	O-Ring	1	44	440DP-2	Clutch Housing incl. Anvil Bushing	1
22	EE3	Ball Bearing	1				
23	440DP-10	Rear Plate	1				