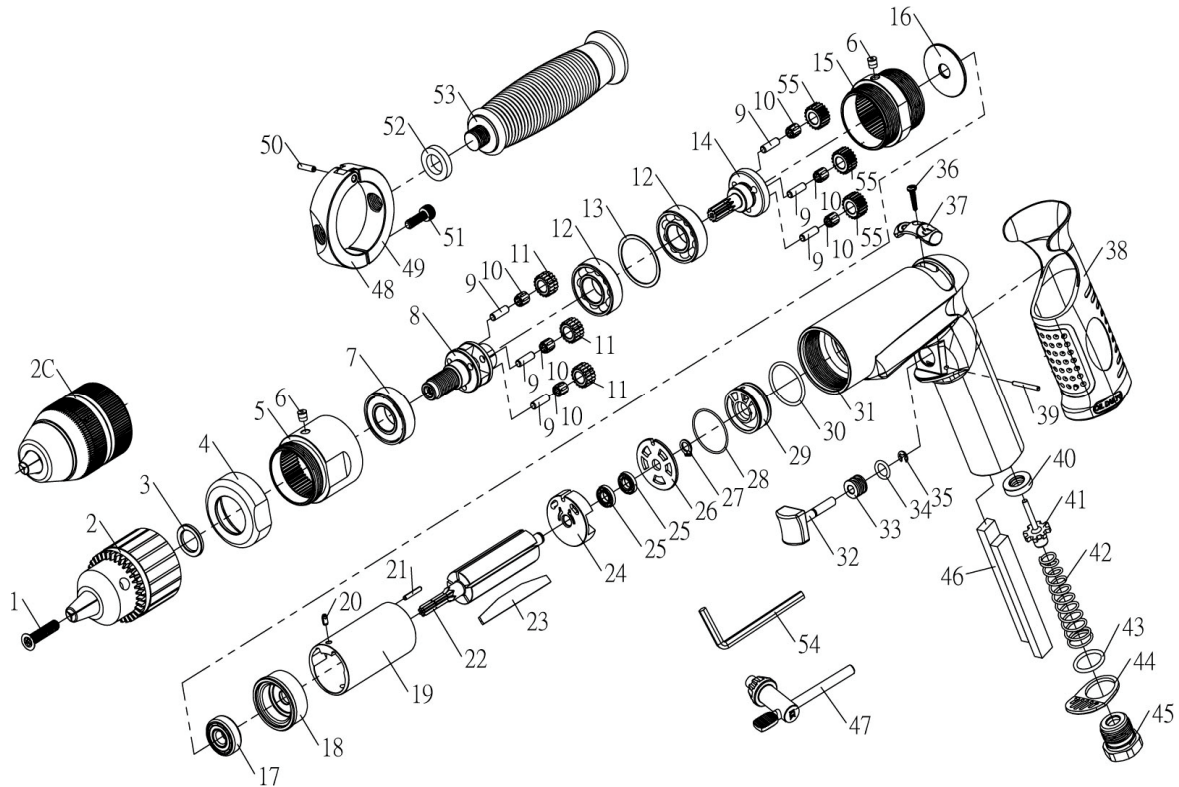


ST-M5214R3

IND. 1/2" REVERSIBLE AIR DRILL (1.0HP)

ST-M5214RC3

IND. 1/2" REVERSIBLE AIR DRILL (1.0HP) W/KEYLESS CHUCK



PARTS LIST

No.	Parts No.	Description	Q'ty
1	M5214R-01	Chuck Screw	1
2	M5214R-02	1/2" Drill Chuck [ST-M5214R3]	1
	M5214R-02C	1/2" Keyless Chuck [ST-M5214RC3]	1
3	M5214R-03	Washer	1
4	M5214R-04	Gear Case Cap	1
5	M5214R-05	Gear Case	1
6	M5214R-06	Grease Fitting	2
7	M5214R-07	Ball Bearing	1
8	M5214R-08	Gear Carrier	1
9	M5214R-09	Pin (Φ4x12.8)	6
10	M5214R-10	Needle Bearing (INA)	6
11	M5214R-11	Planet Gear	3
12	M5214R-12	Ball Bearing	2
13	M5214R-13	Washer	1
14	M5214R-14	Cantilevered Gear Carrier [ST-M5214R3(RC3)]	1
15	M5214R-15	Double Reduction Gear Case	1
16	M5214R-16	Wear Plate	1
17	M5214R-17	Ball Bearing	1
18	M5214R-18	Rear End Plate	1
19	M5214R-19	Cylinder	1
20	M5214R-20	Spring Pin (Φ3x5)	1
21	M5214R-21	Spring Pin (Φ2x14)	1
22	M5214R-22	Rotor	1
23	M5214R-23	Rotor Blade	5
24	M5214R-24	Rear End Plate	1
25	M5214R-25	Ball Bearing	2
26	M5214R-26	Reversing Plate	1
27	M5214R-27	Snap Ring	1

No.	Parts No.	Description	Q'ty
28	M5214R-28	O-Ring (ID22x1)	1
29	M5214R-29	Reverseing Manifold	1
30	M5214R-30	O-Ring (ID23.52x1.78)	1
31	M5214R-31	Housing	1
32	M5214R-32	Trigger	1
33	M5214R-33	Trigger Sleeve	1
34	M5214R-34	O-Ring (ID7.65x1.78)	1
35	M5214R-35	Retaining Ring	1
36	M5214R-36	Taping Screw	1
37	M5214R-37	Reverseing Shuttle	1
38	M5214R-38	Housing Cover	1
39	M5214R-39	Spring Pin (Φ2x20)	1
40	M5214R-40	Washer	1
41	M5214R-41	Pin Valve Rod	1
42	M5214R-42	Trigger Spring	1
43	M5214R-43	O-Ring (ID15x2)	1
44	M5214R-44	Exhaust Cap	1
45	M5214R-45	Air Inlet	1
46	M5214R-46	Silencer Pad	2
47	M5214R-47	Key (KK-1/2")	1
48	M5214R-48	Clamp Ring A	1
49	M5214R-49	Clamp Ring B	1
50	M5214R-50	Spring Pin (Φ3x12)	1
51	M5214R-51	Head Cap Screw (M5x15)	1
52	M5214R-52	Rubber Gasket	1
53	M5214R-53	Head Handle	1
54	M5214R-54	Hex. Wrench	1
55	M5214R-55	Planet Gear [ST-M5214R3(RC3)]	3