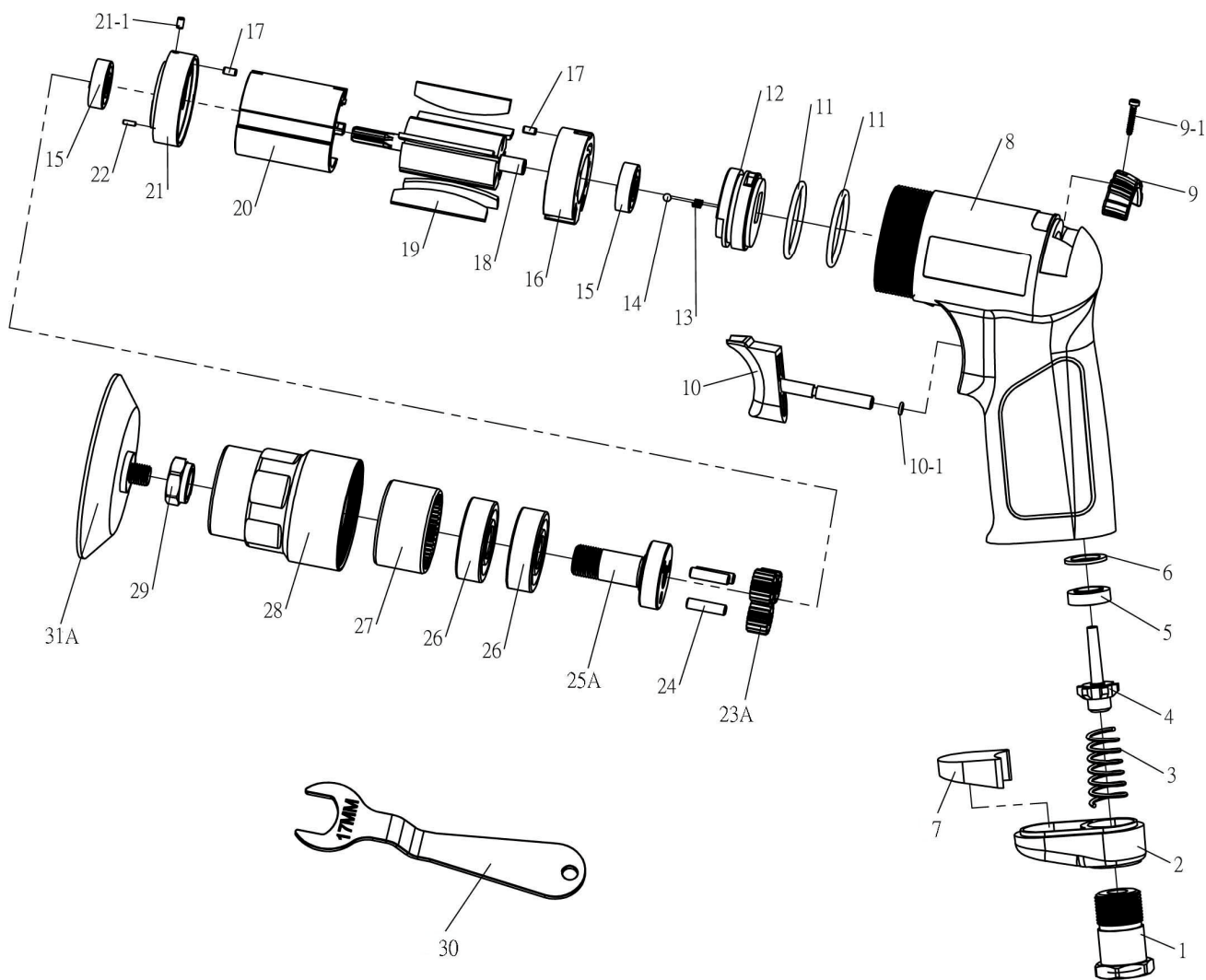


ST-C121

3" AIR POLISHER -COMPOSITE HOUSING



PARTS LIST

No.	Parts No.	Description	Q'ty
1	C121-01	Inlet Bushing	1
2	C121-02	Deflector	1
3	C121-03	Valve Spring	1
4	C121-04	Valve	1
5	C121-05	Valve Seat	1
6	C121-06	Spacer	1
7	C121-07	Silencer	1
8	C121-08	Composite Housing	1
9	C121-09	Reverse Valve Lever	1
9-1	C121-09-1	Taping Screw (Φ2.3x12L)	1
10	C121-10	Trigger	1
10-1	C121-10-1	O-Ring (3x1)	1
11	C121-11	O-Ring (27x2)	2
12	C121-12	Valve Body	1
13	C121-13	Spring	1
14	C121-14	Detent Ball (3mm)	1
15	C121-15	Ball Bearing (626ZZCNL/L542)	2
16	C121-16	Rear Plate	1
17	C121-17	Spring Pin	2
18	C121-18	Rotor	1

No.	Parts No.	Description	Q'ty
19	C121-19	Rotor Blade	5
20	C121-20	Cylinder	1
21	C121-21	Front Plate	1
21-1	C121-21-1	Spring Pin (M2.5x4)	1
22	C121-22	Pin (Φ1.5x4.8L)	1
23A	C121-23A	Idle Gear	3
24	C121-24	Pin (Φ4x15.6)	3
25A	C121-25A	Spindle	1
26	C121-26	Ball Bearing (6201ZZ)	2
27	C121-27	Ring Gear	1
28	C121-28	Front Housing	1
29	C121-29	Spindle Nut	1
30	C121-30	Wrench	1
31A	C121-31A	3" Velcro Pad (5/16" Male)	1
*** Optional ***			
*	C121-31	3" Velcro Pad (5/16" Female)	1
*	C121-31-1	2" Velcro Pad (5/16" Female)	1
*	C121-31-1A	2" Velcro Pad (5/16" Male)	1
*	C121-31-2	3" Stick Pad (5/16" Female)	1
*	C121-31-2A	3" Stick Pad (5/16" Male)	1