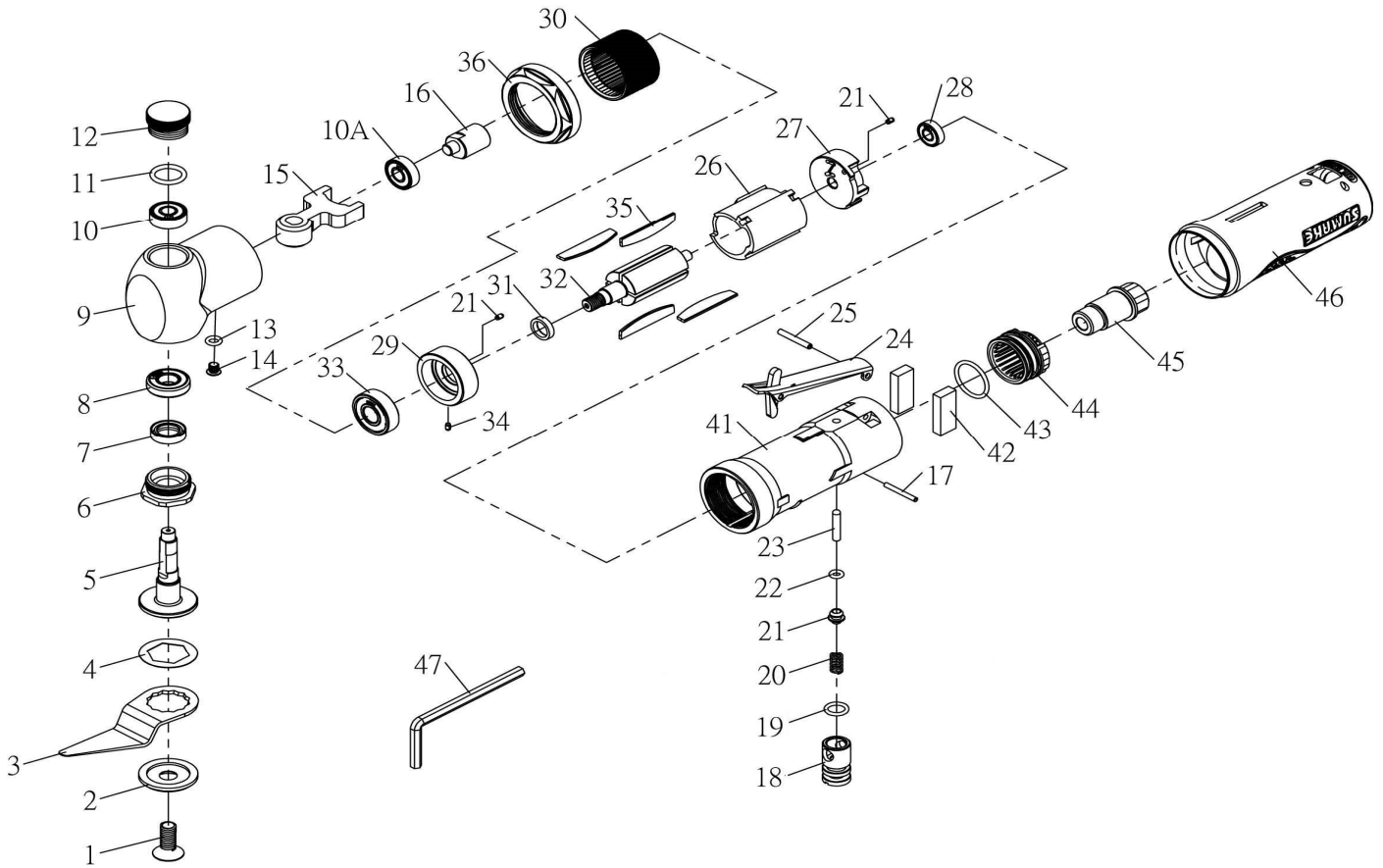


ST-AK100 AIR KNIFE (W/1PCE BLADE)



PARTS LIST

No.	Parts No.	Description	Q'ty
1	AK100-01	Screw (5/16-24UNFx20)	1
2	AK100-02	Retainer	1
3	AK100-03	Blade 57mm (2-14")	1
4	AK100-04	Packing	1
5	AK100-05	Spindle Drive	1
6	AK100-06	Nut Clamp	1
7	AK100-07	Seal Oil	1
8	AK100-08	Ball Bearing (6900ZZ)	1
9	AK100-09	Head	1
10	AK100-10	Ball Bearing	1
10A	AK100-10A	Ball Bearing (607ZZ)	1
11	AK100-11	O-Ring (P14)	1
12	AK100-12	Plug	1
13	AK100-13	O-Ring (P5)	1
14	AK100-14	Screw (M5x6)	1
15	AK100-15	Fork Drive	1
16	AK100-16	Shaft Crank	1
17	DG1002L-17	Spring Pin (Φ 2.5x20)	1
18	DG1002L-18	Valve Screw	1
19	DG1002L-19	O-Ring (P10A)	1
20	DG1002L-20	Valve Spring	1
21	DG1002L-21	Throttle Valve	1

No.	Parts No.	Description	Q'ty
22	DG1002L-22	O-Ring (ID3.8x1.9)	1
23	DG1002L-23	Valve Shaft	1
24	DG1002L-24	Throttle Lever Assy	1
25	DG1002L-25	Spring Pin (Φ 3x22)	1
26	AK100-26	Cylinder	1
27	AK100-27	Rear End Plate	1
28	AK100-28	Ball Bearing (696ZZ)	1
29	AK100-29	Front End Plate	1
30	AK100-30	Internal Gear	1
31	AK100-31	Washer	1
32	AK100-32	Rotor	1
33	AK100-33	Ball Bearing (6000ZZ)	1
34	AK100-34	Throttle Valve	1
35	AK100-35	Rotor Blade	4
41	DG1002L-41	Housing	1
42	DG1002L-42	Muffler	2
43	DG1002L-43	O-Ring (S022.4)	1
44	DG1002L-44	Exhaust Sleeve	1
45	DG1002L-45	Inlet Bushing	1
46	DG1002L-46	Housing Cover	1
47	AK100-47	Hex. Wrench	1