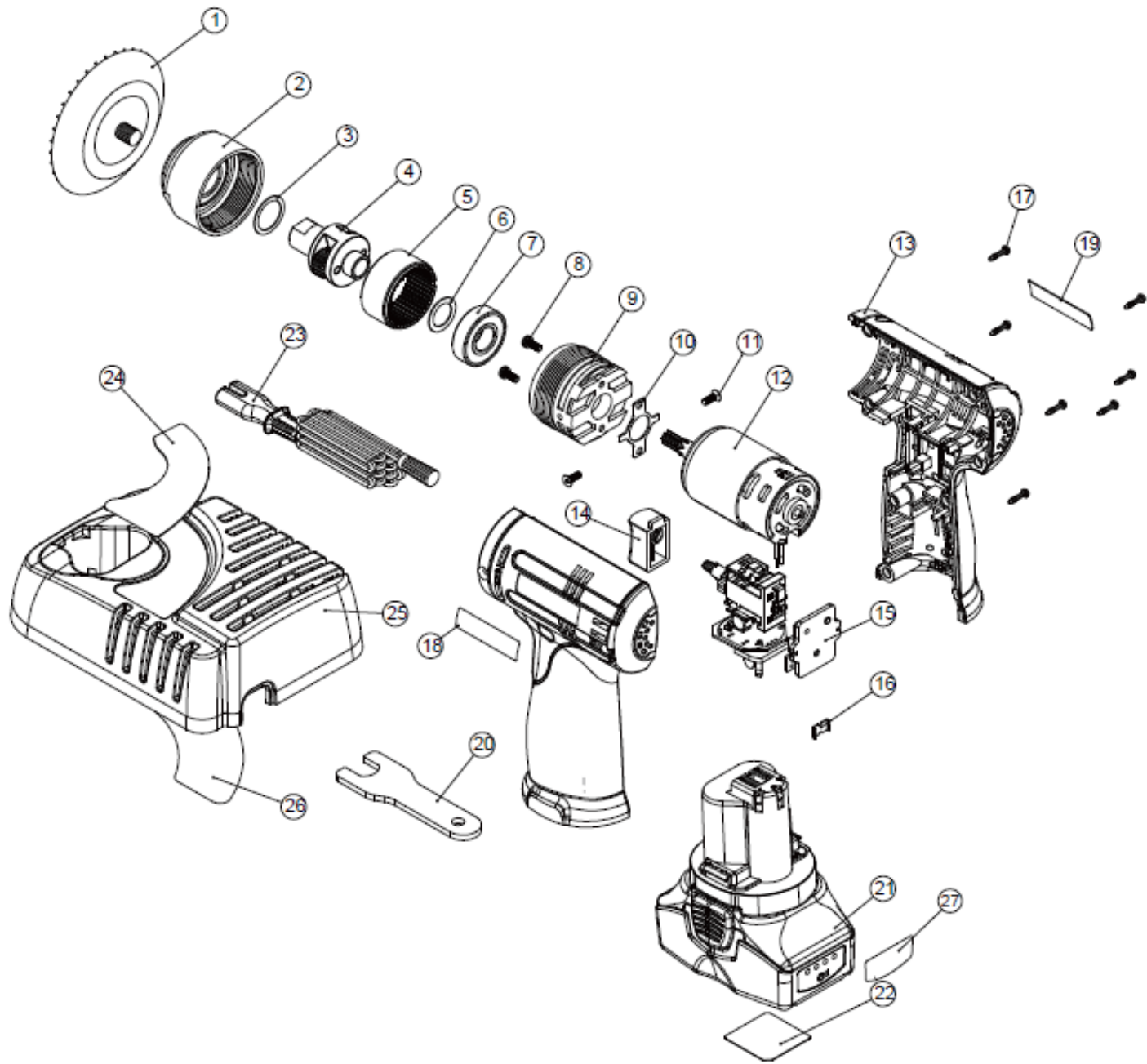


Model No. : AP-8200



PART LIST

NO.	PARTS NO.	PARTS NAME	SPECIFICATION	Q'TY
1	2WHEA016	SANDING PAD	5/16"X24t PU PAD VELCRO	1
2	1COVB005	FRONT COVER ASS'Y		1
3	2WASA021-B	WASHER	ψ 19.5X15.2X0.5T HRC50 \pm 3°	1
4	1SHAA086	BUSH ASS'Y		1
5	2GEAA281-B	RING GEAR	S45C	1
6	2WASA017-B	WASHER	SK7 ψ 17.5X12.1X0.5T	1
7	2BEAA048	BEARING	ϕ 28X12-7	1
8	2SCRA188-B	SCREW		2
9	2STEA172-B	MOTOR FIXITY	ADC-10+CNC	1
10	2WASA167-C	WASHER	ϕ 6.5X ϕ 3.5-0.8T	1
11	2SCRA198	SCREW	M3X8	2
12	1MOTA340	MOTOR ASS'Y		1
13	2HOUB719	HOUSING-L&R	PA6+20%GF	1
14	2KNOB068	TRIGGER	PA6+20%GF	1
15	1PCBA157-C	MAIN SWITCH & PCB ASS'Y		1
16	2ELPA015-D	HOUSING CLIP	SUS304	1
17	2SCRA176-B	HOUSING SCREW	TP2.6X10L	7
18	2LABC507	HOUSING LABEL-L		1
19	2LABE755	HOUSING LABEL-R		1
20	2SPAA017-B	WRENCH	4130	1
21	1BATB317	BATTERY PACK		1
22	2LABE288-C	BATTERY LABEL		1
23	2CORA054	POWER CORD		1
24	2LABE286	CHARGER UPPER LABEL		1
25	32916A-D	CHARGER		1
26	2LABE289	CHARGER LOWER LABEL		1
27	2LABE290-B	FUEL GAUGE LABEL		1